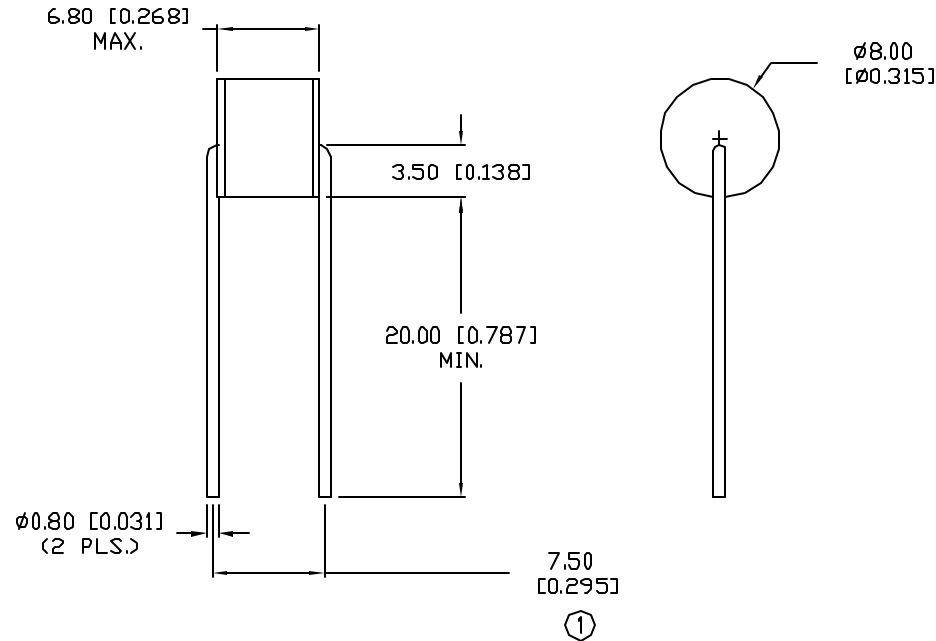


UNCONTROLLED DOCUMENT

PART NUMBER		REV.
GT-CM145L-R		A
REV.	E.C.N. NUMBER AND REVISION COMMENTS	DATE
A	E.C.N. #11148.	12.11.06



**NOTE:**

1. MEASUREMENT TAKEN 1.0mm FROM BODY OF COMPONENT.

ELECTRICAL SPECIFICATIONS

SPECIFICATION PARAMETERS	SPECIFICATION	TEST CONDITIONS
D.C. FIRING VOLTS	145 ±20%	dv/dt<100V/s
IMPULSE BREAK DOWN VOLTS	500 MAX.	dv/dt 5KV/us
IMPULSE CURRENT	10KA MAX.	8/20us PULSE
	10KA MAX.	10/50us PULSE
D.C. HOLDOVER VOLTAGE	70 MAX.	150ms MAX.
A.C. DISCHARGE CURRENT	5 A	1 SEC. x 10 TIMES
A.C. FOLLOW ON	10 A	1/2 CYCLE, 60Hz
INSULATION RESISTANCE	1 x 10 <sup>3</sup> MΩ MIN	50 OR 100 VDC
INTER-ELECTRODE CAPACITANCE	1.0 pF MAX	1Khz
IMPULSE SURGE LIFE	1000X MIN	10/1000us 100A pk


RESPONSE TIME

SURGE TYPE	(RT. MAX.)
1Kv/ms	1 X 10 <sup>-3</sup> MAX
1Kv/us	1 X 10 <sup>-6</sup> MAX
5Kv/us	1 X 10 <sup>-7</sup> MAX



UNCONTROLLED DOCUMENT

\*UNLESS OTHERWISE SPECIFIED TOLERANCES PER DECIMAL PRECISION ARE: X=±1 (±0.039), XX=±0.5 (±0.020), XXX=±0.25 (±0.010), XXXX=±0.127 (±0.005). LEAD SIZE=±0.05 (±0.002), LEAD LENGTH=±0.75 (±0.030), MIN= <sup>+DECIMAL PRECISION</sup> <sub>-0.00</sub> MAX= <sup>+0.00</sup> <sub>-DECIMAL PRECISION</sub>

REV. A	PART NUMBER GT-CM145L-R	<p><b>CONFIDENTIAL INFORMATION</b></p> <p>THE INFORMATION CONTAINED IN THIS DOCUMENT IS THE PROPERTY OF LUMEX INC. EXCEPT AS SPECIFICALLY AUTHORIZED IN WRITING BY LUMEX INC, THE HOLDER OF THIS DOCUMENT SHALL KEEP ALL INFORMATION CONTAINED HEREIN CONFIDENTIAL AND SHALL PROTECT SAME IN WHOLE OR IN PART FROM DISCLOSURE AND DISSEMINATION TO ALL THIRD PARTIES.</p> <p><b>RELIABILITY NOTE</b></p> <p>OUR MANY YEARS OF EXPERIENCE DATA ACCUMULATION INDICATE THAT SOLDER HEAT IS A MAJOR CAUSE OF EARLY AND FUTURE FAILURE. PLEASE PAY ATTENTION TO YOUR SOLDERING PROCESS.</p>	 <p>290 E. HELEN ROAD PALATINE, IL 60067-6976 PHONE: +1.847.359.2790 US WEB: www.lumex.com TW WEB: www.lumex.com.tw</p>
HEAVY DUTY CERAMIC SURGE POTECTOR, 2 LEADED RADIAL.		<p>DRAWN BY: JC</p> <p>CHECKED BY:</p> <p>APPROVED BY:</p>	<p>DATE: 12.11.06</p> <p>PAGE: 1 OF 1</p> <p>SCALE: N/A</p>